

Model **ASTORIA ARMCHAIR**



Guarantee

Frame and Seat Suspension	Lifetime warranty
Rest of Pieces	2 years*

*6-month guaranty extension by activating it on the web

Technical Information

Frame	Frame of pine wood and MDF
Seat Suspension	N.E.A. 10 Years Guarantee
Back Suspension	
Seat Foam	Polyurethane 35kg + fibre + Polyurethane 35kg
Seat Firmness	Medium Foam (white) + soft foam (grey)
Back Cushions	Polyurethane 30kg
Loose Cushions	Fibre fibersilk 100%
Legs Options	Wooden / Metal
Colours	Natural, Walnut, Wenge, Metal shade / Chrome, Dark Grey

Comments: * Would you like to know more?
Check the FAQs section in our website

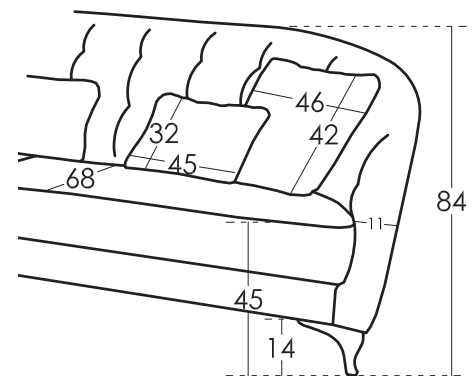
Cushions Measures

Arm Cushion	46 x 42 cm
Lumbar Cushion	45 x 32 cm

Measures

Width	x cm
Height	84 cm
Depth	93 cm
Seat Height	45 cm
Arm Height	- cm
Back Height	52 cm
Depth when open	- cm
Net Weight	- kg
Gross Weight	- kg
Volume m3	- m3

Scheme



Packaging

Shrink wrapping plastic packaging with protective corner brackets

Options



Types of Standard Foam

Hardness: Soft: Grey colour 35Kg	Hardness: Medium: White colour 35Kg	Hardness: Hard: Green colour 30Kg
--	---	---

Types of Fire Retardant Foam

Hardness: Medium: Grey colour 41Kg	Hardness: Soft: White colour 36Kg
--	---

* You can request a different seat hardness from the standard of the model with a small price increase

ASTORIA ARMCHAIR is manufactured by Fama, whose quality system is certified by AENOR and IQNET according to the ISO 9001-2015 standards, with the certificate number ES-0790/1999. In addition to the Environmental Management Certificate according to ISO 14001-2019.

All models have passed the tests required for granting the quality control label from Aidima-

